

Ultrasonic measurement of water flow

Permanently installed ultrasonic clamp-on system for flow measurement of water

Features

- Non-intrusive flow measurement with high measuring accuracy for stationary use
- Precise bi-directional, highly dynamic flow measurement
- Water-tight transducers (IP67) are characterised by their high robustness
- Simple retrofitting of measurements in existing networks and systems without interrupting the supply or the need for pipe work
- High measuring accuracy, even at low flow velocities
- Cost-efficient for large rated diameters
- Installation and commissioning can be carried out during operation
- Digital signal processor (DSP) and signal processing ensure stable and reliable results even under difficult measurement conditions
- User-friendly menu navigation - the firmware is specifically adapted to the needs of the water industry

Applications

- Water and wastewater industry
- Clean measurement process for drinking water systems
- Leakage detection
- Hydroelectric power plants (reservoirs)
- Reservoirs



FLUXUS F501



Flow transducers in transducer shoe,
mounted with tension strap

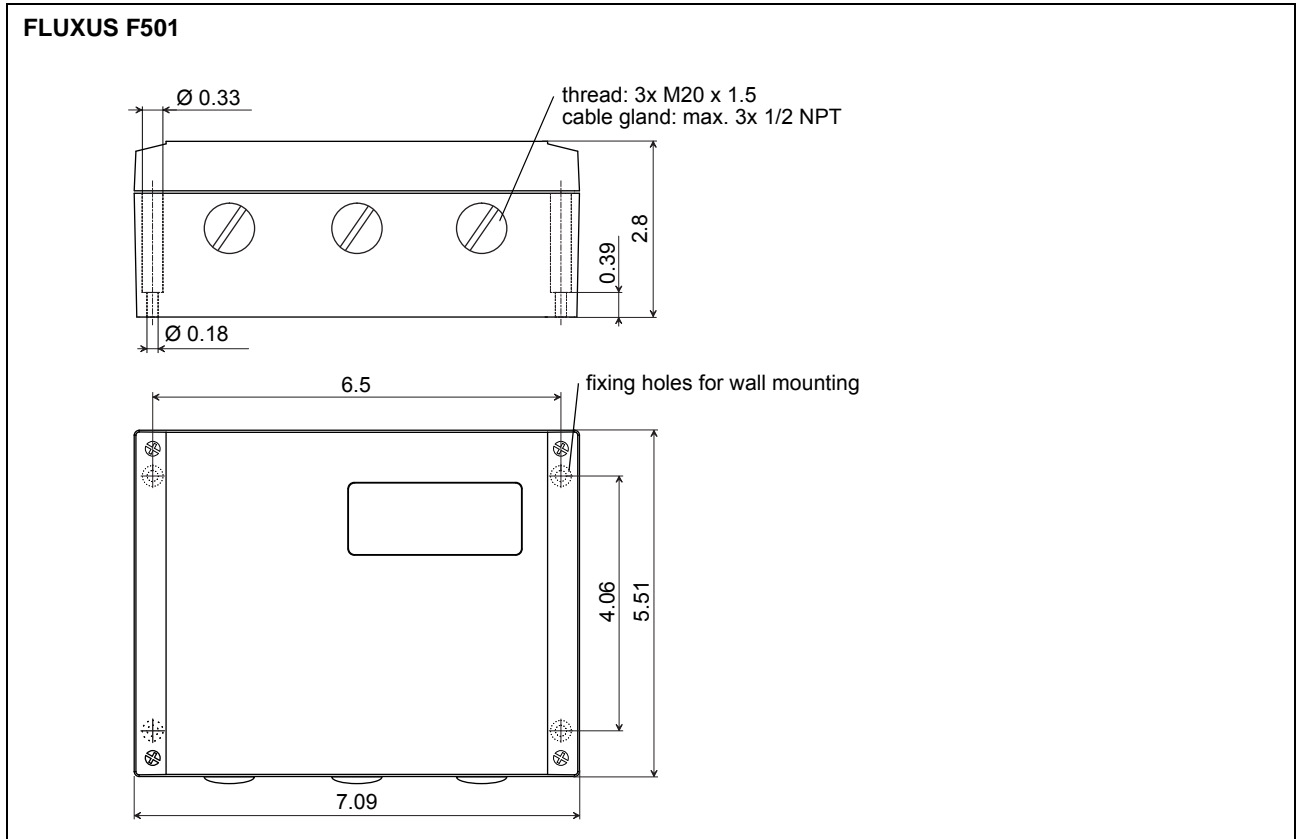
Flow transmitter

Technical data

FLUXUS	F501
design	field device with 1 measuring channel
measurement	
measurement principle	transit time difference correlation principle
flow velocity	0.03 to 82 ft/s
repeatability	0.25 % of reading ± 0.03 ft/s
fluid	water and acoustically similar liquids with < 6 % gaseous or solid content by volume
accuracy ¹ - volumetric flow rate	± 2 % of reading ± 0.03 ft/s
flow transmitter	
power supply	100 to 230 V/50 to 60 Hz or 20 to 32 V DC or 11 to 16 V DC
power consumption	< 10 W
number of flow measuring channels	1
damping	0 to 100 s, adjustable
measuring cycle (1 channel)	10 Hz
response time	1 s
housing material	aluminum, powder coated
degree of protection	NEMA 4
dimensions	see dimensional drawing
weight	3.3 lb
fixation	wall mounting, optional: 2 " pipe mounting
ambient temperature	14 to +140 °F
display	2 x 16 characters, dot matrix, backlight
menu language	English, German, French, Dutch, Spanish
measuring functions	
physical quantities	volumetric flow rate, mass flow rate, flow velocity
totalizer	volume, mass
data logger (optional)	
loggable values	all physical quantities and totalized values
capacity	> 100 000 measured values
communication	
interface	optional: RS485 (sender) or Modbus RTU or BACnet MS/TP
outputs (optional)	
	The outputs are galvanically isolated from the transmitter.
current output	
number	1
range	0/4 to 20 mA
accuracy	0.1 % of reading ± 15 μ A
active output	$R_{ext} < 500 \Omega$
binary output	
number	2
optorelay	28 V/100 mA
binary output as alarm output - functions	limit, change of flow direction or error
binary output as pulse output - pulse value - pulse width	mainly for totalizing 0.01 to 1000 units 80 to 1000 ms

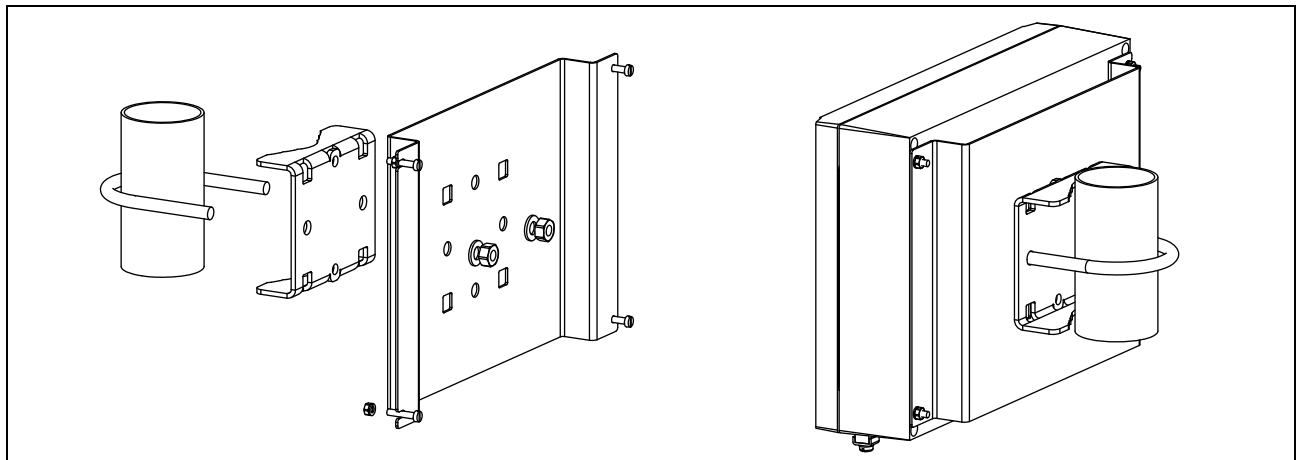
¹ for reference conditions and $v > 0.82$ ft/s

Dimensions



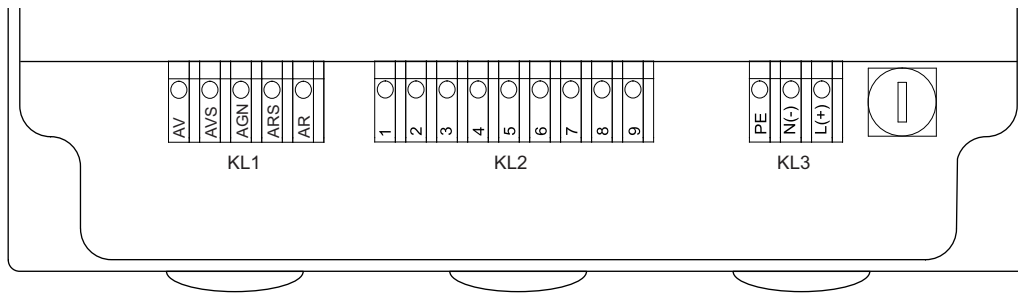
in inch

2 " pipe mounting kit (optional)



Terminal assignment

FLUXUS F501



power supply

terminal strip KL3

terminal	connection (AC)	connection (DC)
PE	earth	earth
N(-)	neutral	-
L(+)	phase	+

transducers

terminal strip KL1

extension cable, transducer cable	
measuring channel A	
terminal	connection
AV	transducer \uparrow , signal
AVS	transducer \uparrow , internal shield
ARS	transducer \wedge , internal shield
AR	transducer \wedge , signal
cable gland	external shield

outputs

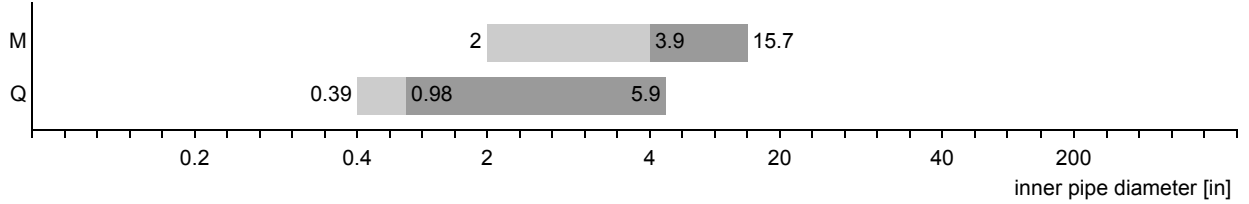
terminal strip KL2

terminal	connection
1(-), 2(+)	binary output B1
3(-), 4(+)	binary output B2
5(-), 6(+)	current output I1
7(-), 8(+), 9 (shield)	RS485 (optional)

Transducers

Transducer selection

transducer frequency

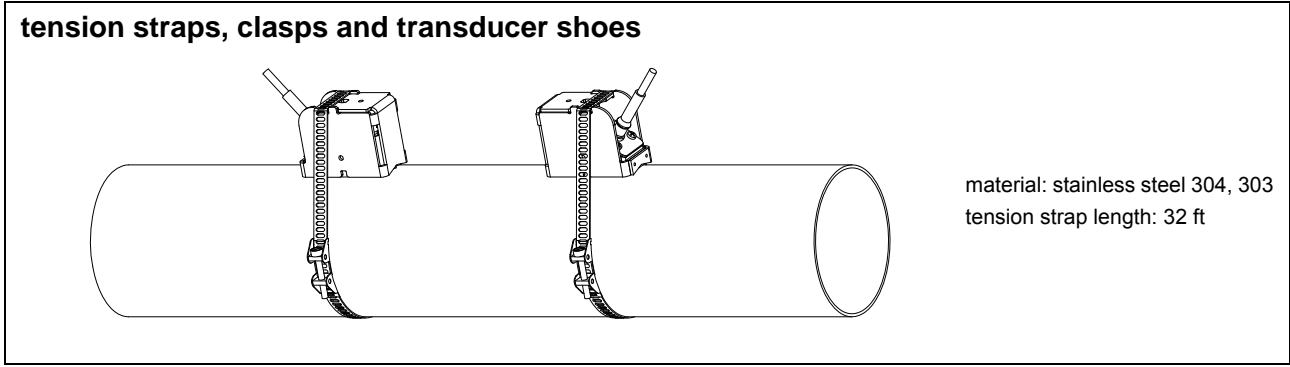


recommended possible

Technical data

technical type		CDM2LZ7	CDQ2LZ7
transducer frequency	MHz	1	4
inner pipe diameter d			
min. extended	in	2	0.39
min. recommended	in	3.9	0.98
max.	in	15.7	5.9
pipe wall thickness			
min.	in	0.08	0.02
material			
housing		PEEK with stainless steel cap 316Ti	PEEK with stainless steel cap 316Ti
contact surface		PEEK	PEEK
degree of protection		NEMA 6	NEMA 6
transducer cable			
type		2606	2606
length	ft	32	32
dimensions			
length l	in	2.32	1.42
width b	in	1.1	0.71
height h	in	1.22	0.83
dimensional drawing			
ambient temperature			
min.	°F	-40	-40
max.	°F	+212	+212

Transducer mounting fixture

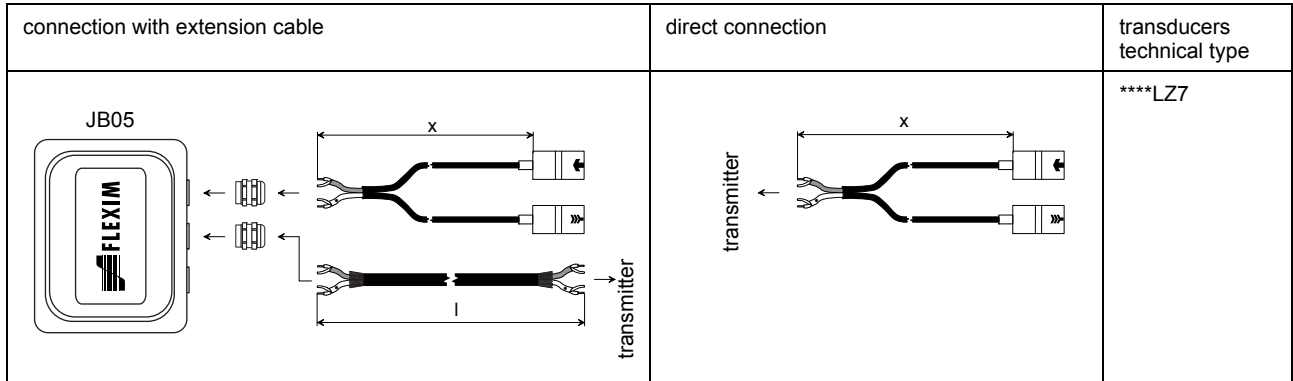


Coupling materials for transducers

Technical data

type	ambient temperature °F	material
coupling compound type N	-22 to +266	mineral grease paste
coupling pad type VT	14 to +392	fluoroelastomer

Connection systems



x = transducer cable length

l = max. length of extension cable

Transducer cable

Technical data

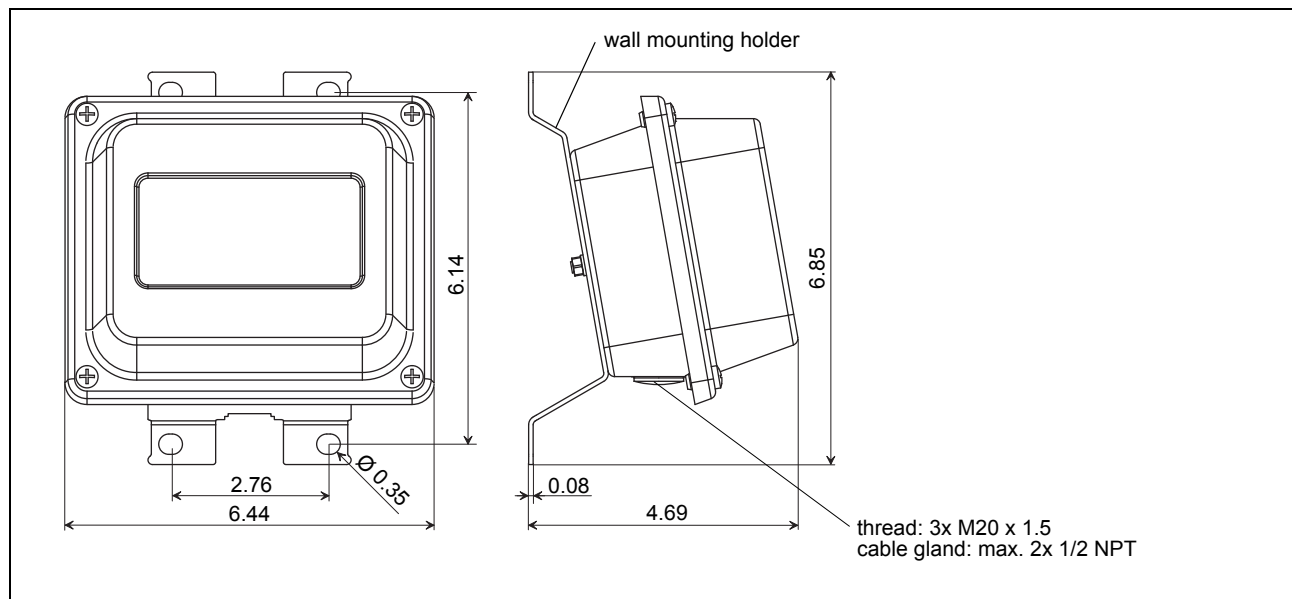
		transducer cable		extension cable	
type		2606	2552	2615	
standard length x	ft	32	-	-	
max. length l	ft	-	**M****: 984 **Q****: 295		
ambient temperature	°F	-40 to +212	-13 to +176	-40 to +158	
properties				halogen free fire propagation test according to IEC 60332-1 combustion test according to IEC 60754-2	
cable jacket					
material		PUR	TPV	PUR	
outer diameter	in	0.2	0.47	0.47	
thickness	in			0.08	
color		gray	black	black	
shield		x	x	x	

Junction box

Technical data

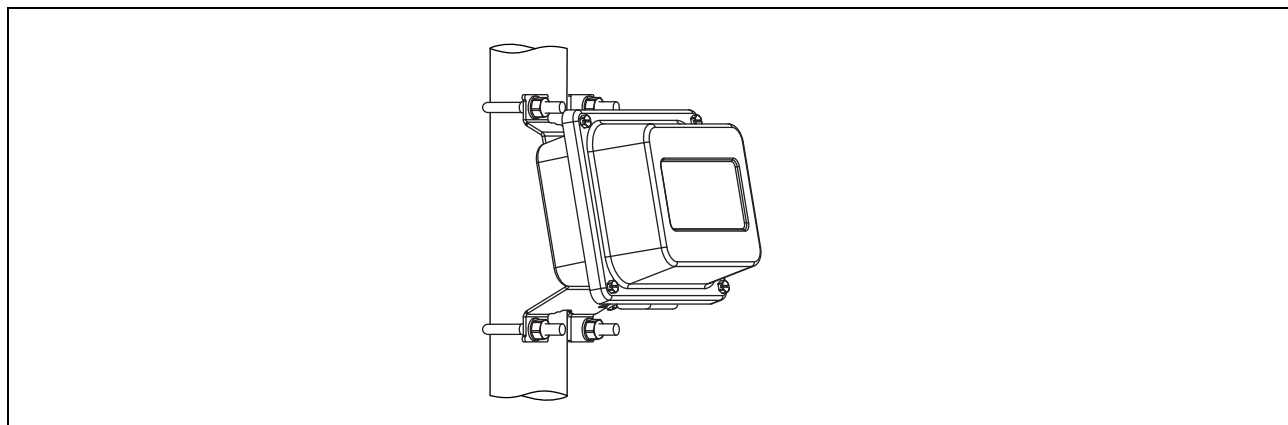
technical type		JB05
dimensions		see dimensional drawing
weight	lb	2.6 lb
fixation		wall mounting, optional: 2 " pipe mounting
material		
housing		stainless steel 316L
gasket		silicone
degree of protection		NEMA 6
ambient temperature		
min.	°F	-40
max.	°F	+176

Dimensions



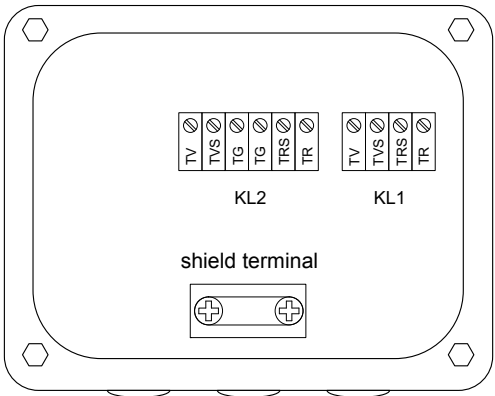
in inch

2 " pipe mounting kit (optional)



Terminal assignment

JB05



transducers

terminal strip KL1

terminal	connection
TV	transducer ↗, signal
TVS	transducer ↗, internal shield
TRS	transducer ↗, internal shield
TR	transducer ↗, signal
cable gland	external shield

extension cable

terminal strip KL2

terminal	connection
TV	signal
TVS	internal shield
TRS	internal shield
TR	signal
shield terminal	external shield



FLEXIM AMERICAS Corporation
Edgewood, NY 11717
USA
Tel.: (631) 492-2300
Fax: (631) 492-2117

internet: www.flexim.com
e-mail: usinfo@flexim.com
1-888-852-7473

Subject to change without notification. Errors excepted.
FLUXUS® is a registered trademark of FLEXIM GmbH.