




Application Low Flow

Flow Transmitter

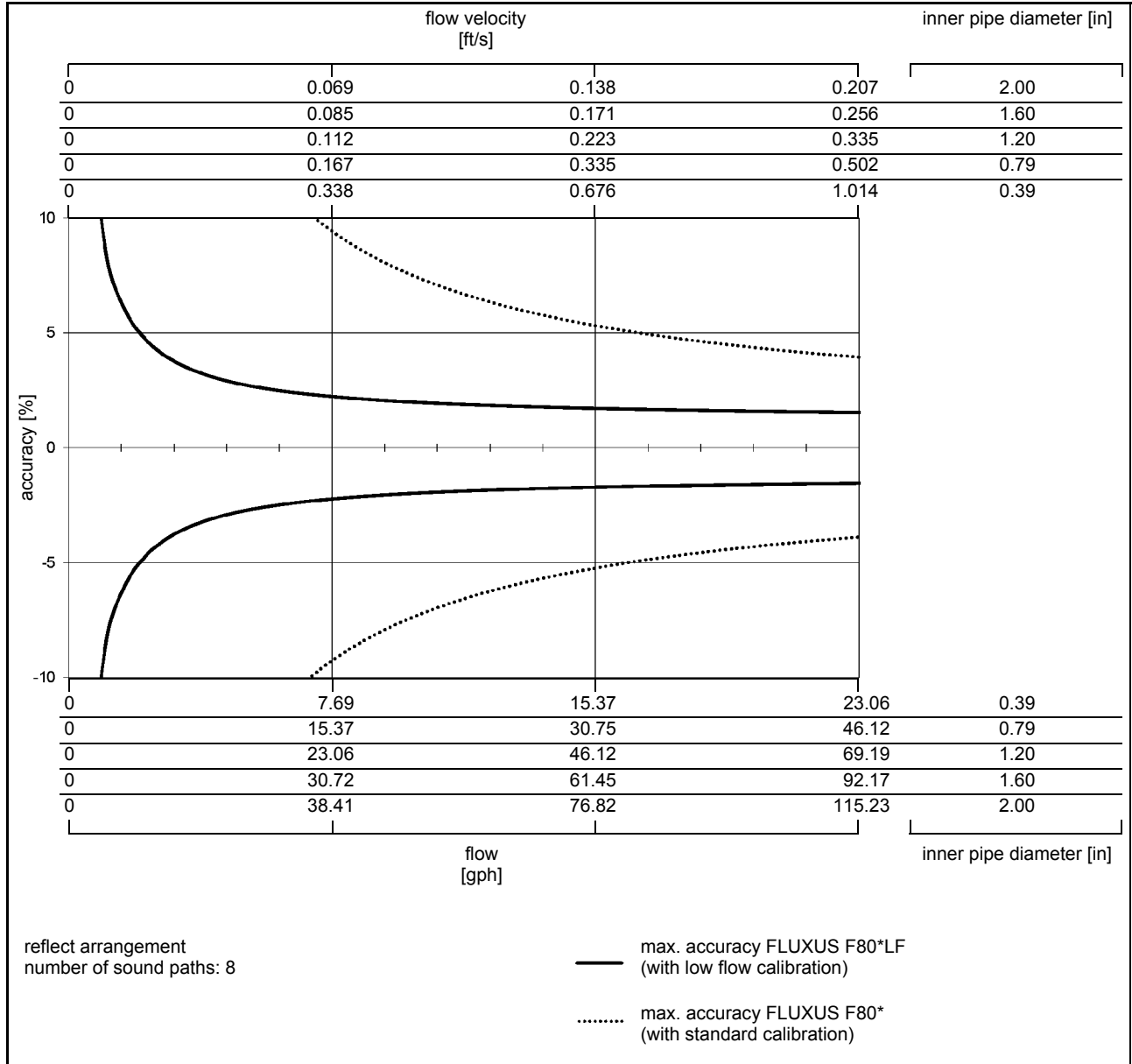
Technical Data

FLUXUS	F808LF-F1
design	explosion proof field device
application	eXtreme Low Flow (XLF) measurement for liquids
transducers	CDQ*N**
transducer mounting fixture	Variofix L with bolt mounting plate VLQ-DS-B (outer pipe diameter ≤ 1.9 in) Variofix L VLQ-DS-S (outer pipe diameter > 1.9 in)
	
measurement	
measurement principle	transit time difference correlation principle
flow velocity	depending on pipe diameter, see diagrams
medium	all acoustically conductive liquids with < 2 % gaseous or solid content in volume
temperature compensation	corresponding to the recommendations in ANSI/ASME MFC-5.1-2011
accuracy	depending on pipe diameter, see diagrams
flow transmitter	
power supply	100 to 240 V/50 to 60 Hz or 20 to 32 V DC
power consumption	< 8 W
number of flow measuring channels	1
damping	0 to 100 s, adjustable
measuring cycle	100 to 1000 Hz
response time	1 s
housing material	cast aluminum, special offshore coating
degree of protection	NEMA 4X
dimensions	see dimensional drawing
weight	11.7 lb
fixation	wall mounting, 2 " pipe mounting
operating temperature	-13 to +140 °F (< -4 °F without operation of the display)
display	2 x 16 characters, dot matrix, backlight
menu language	English, German, French, Dutch, Spanish
explosion protection	
F M	marking  Cl. I, II, III/Div. 1/ GP. A, B, C, D, E, F, G/ For Group A, conduit seal of connection compartment is required within 18 inches.  Cl. I, II, III/Div. 1/ GP. B, C, D, E, F, G T5 Ta = 60 °C

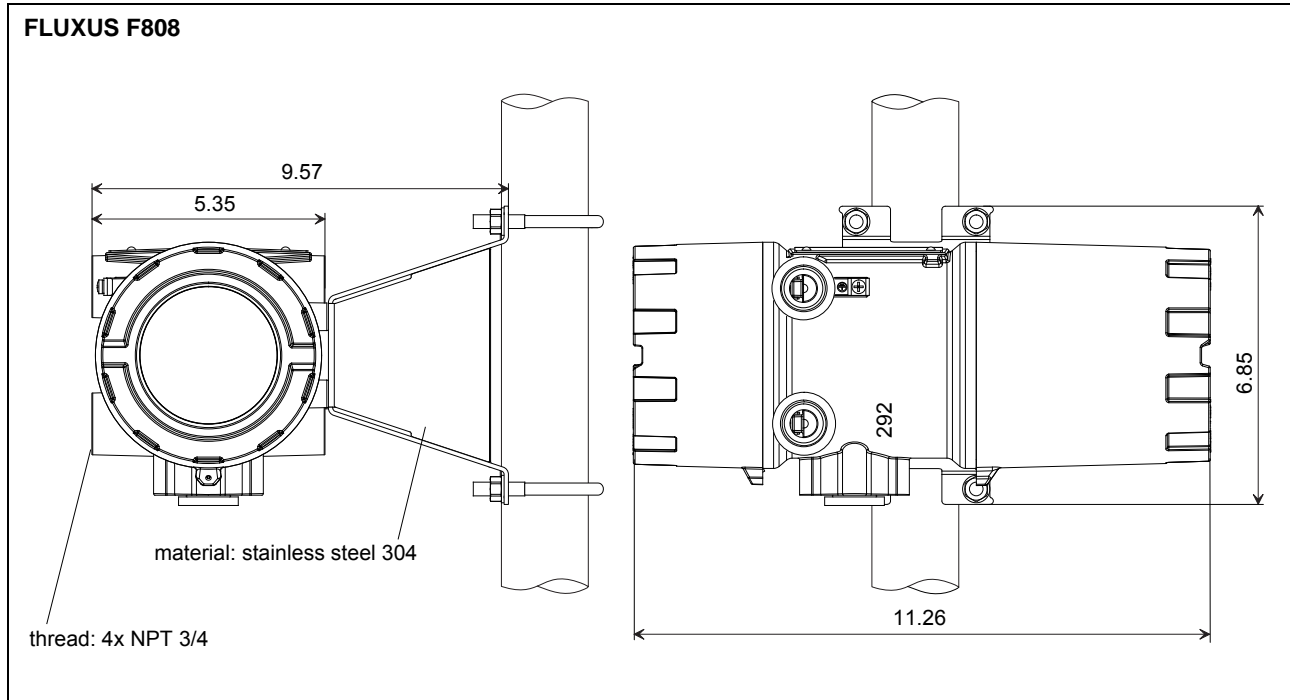
FLUXUS	F808LF-F1
measuring functions	
physical quantities	volumetric flow rate, mass flow rate, flow velocity
totalizer	volume, mass
diagnostic functions	sound speed, signal amplitude, SNR, SCNR, standard deviation of amplitudes and transit times
data logger	
loggable values	all physical quantities, totalized values and diagnostic values
capacity	> 100 000 measured values
communication	
interface	- process integration (optional): Modbus RTU or HART - diagnosis: RS232 ¹
serial data kit (optional)	
software (all Windows™ versions)	- FluxData: download of measurement data, graphical presentation, conversion to other formats (e.g. for Excel™) - FluxDiag (optional): online diagnostics and report generation - FluxKoef: creating medium data sets - FluxSubstanceLoader: upload of medium data sets
cable	RS232 ¹
adapter	RS232 - USB ¹
outputs	
	The outputs are galvanically isolated from the transmitter.
number	current output: 1, binary output: 1 or current output: 1, Modbus or current output: 1/HART, binary output: 1
current output	
- range	0/4 to 20 mA
- accuracy	0.1 % of reading ±15 µA
- active output	$R_{ext} < 500 \Omega$
- passive output	$U_{ext} = 4 \text{ to } 26.4 \text{ V}$, depending on R_{ext} $R_{ext} < 1 \text{ k}\Omega$
current output I1 in HART mode	
- range	4 to 20 mA
- passive output	$U_{ext} = 7 \text{ to } 30 \text{ V DC}$
- active output	$U_{int} = 24 \text{ V}$
binary output	
open collector	24 V/4 mA optional (only in combination with HART): 30 V/100 mA or 8.2 V DIN EN 60947-5-6 (NAMUR)
binary output as alarm output	
- functions	limit, change of flow direction or error
binary output as pulse output	
- pulse value	0.01 to 1000 units
- pulse width	80 to 1000 ms

¹ connection of the interface RS232 outside of explosive atmosphere (housing cover open)

Diagrams

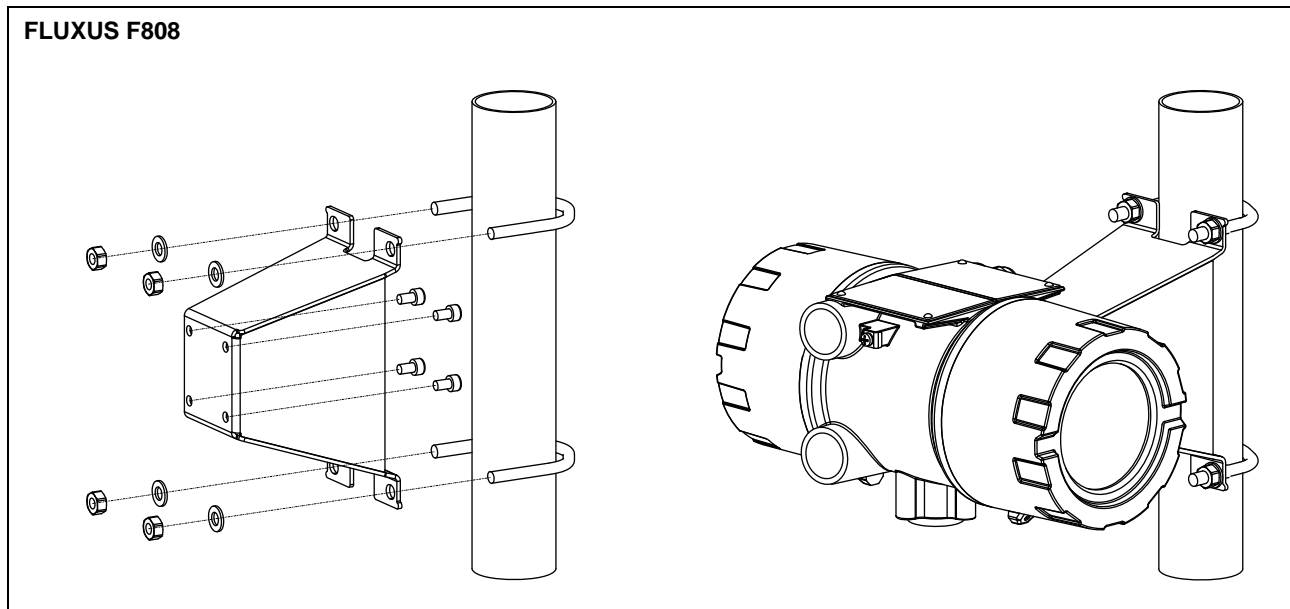


Dimensions



in in

Wall and 2 " Pipe Mounting Kit



FLEXIM AMERICAS Corporation
Edgewood, NY 11717
USA
Tel.: (631) 492-2300
Fax: (631) 492-2117

internet: www.flexim.com
e-mail: usinfo@flexim.com
1-888-852-7473

Subject to change without notification. Errors excepted.
FLUXUS® is a registered trademark of FLEXIM GmbH.

TSFLUXUS_SU_F80xLFV2-1-3US_Lus, 2017-12-14